

Fig. 2.2 (a). GROUND FLOOR PLAN

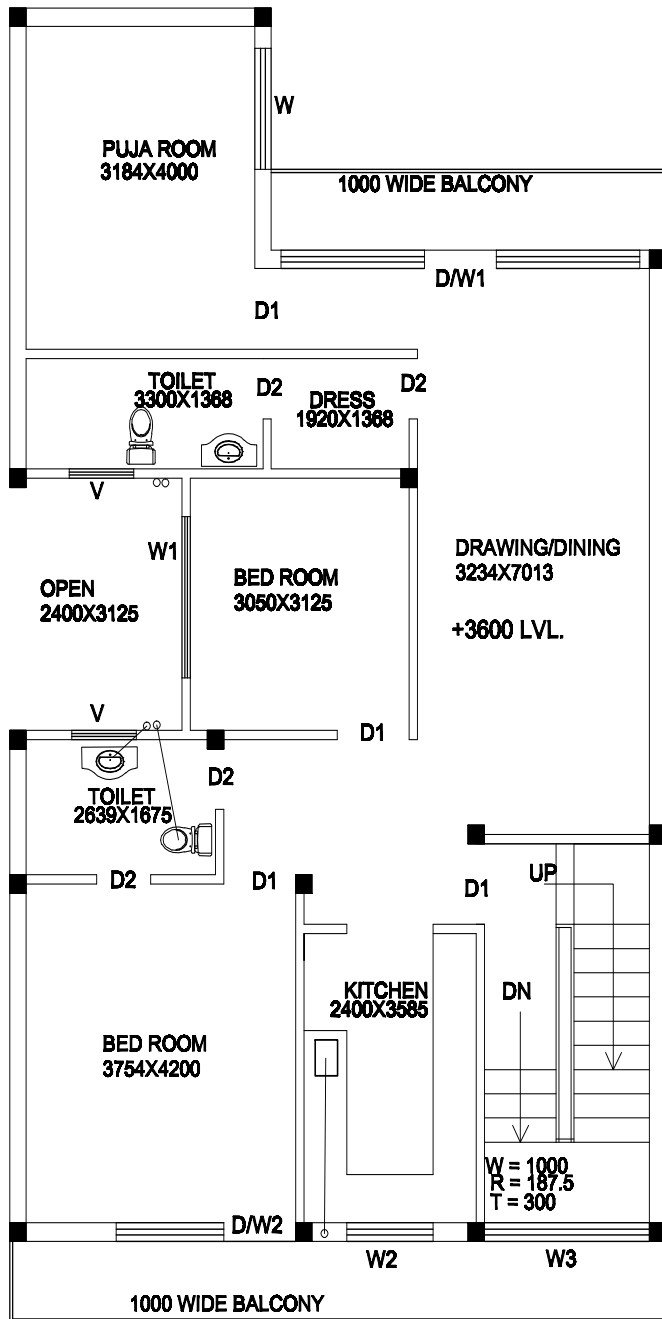


Fig. 2.2 (b). FIRST FLOOR PLAN

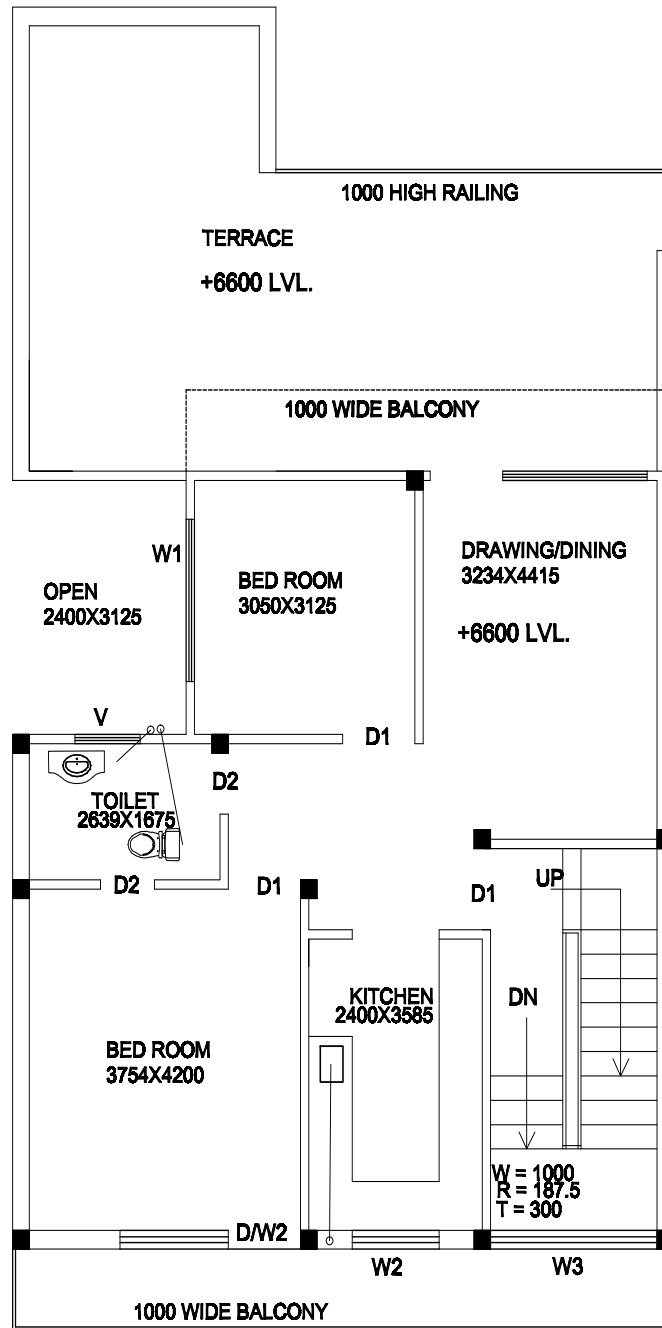


Fig. 2.2 (c). SECOND FLOOR PLAN

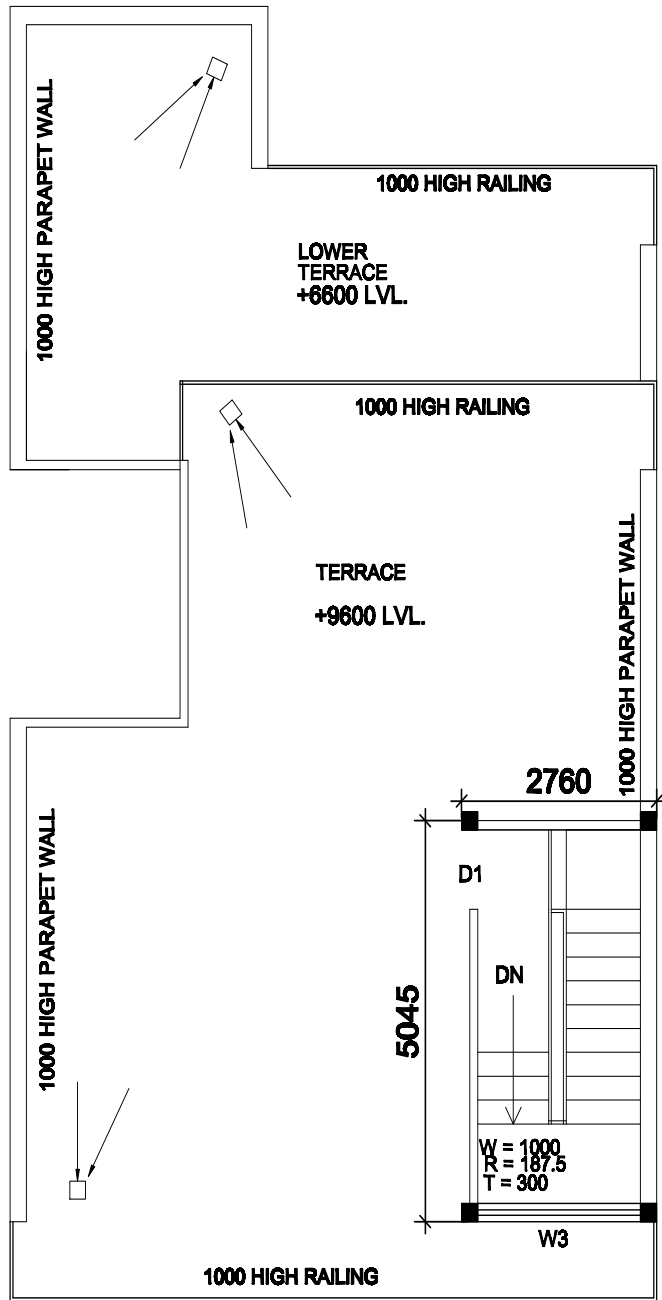


Fig. 2.2 (d). TERRACE FLOOR PLAN

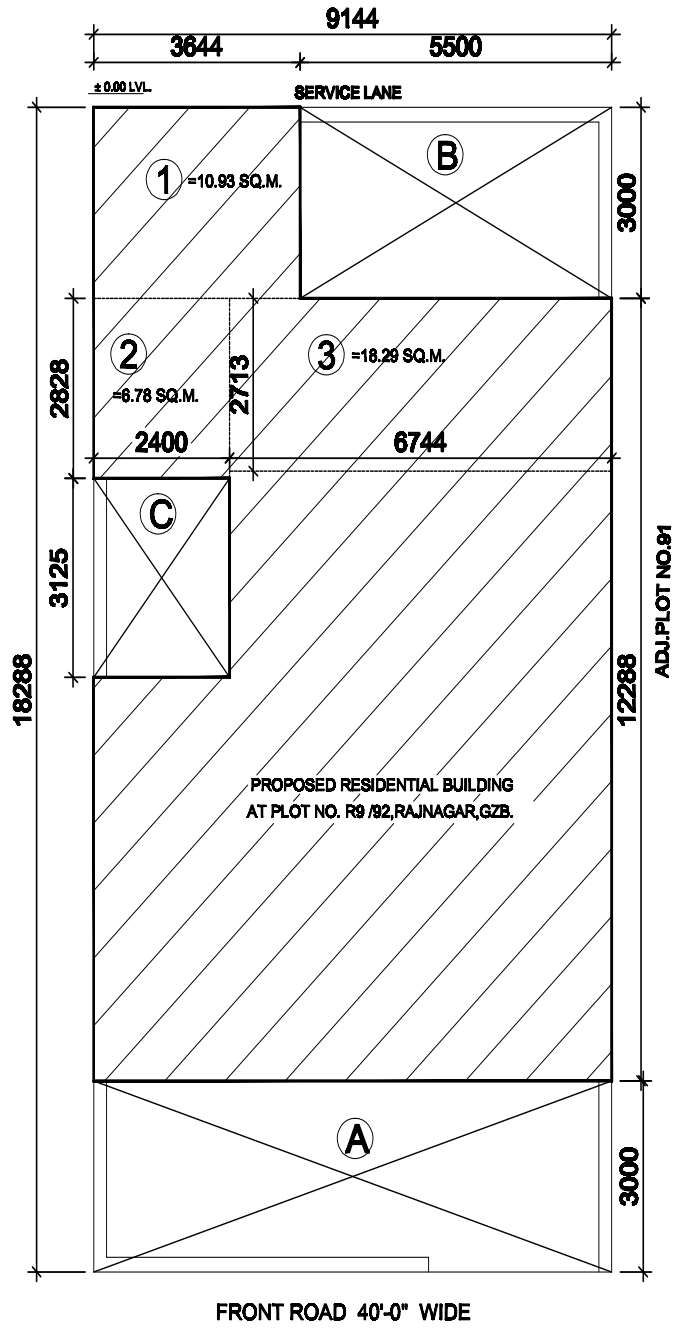


Fig. 2.3 (a). SITE PLAN

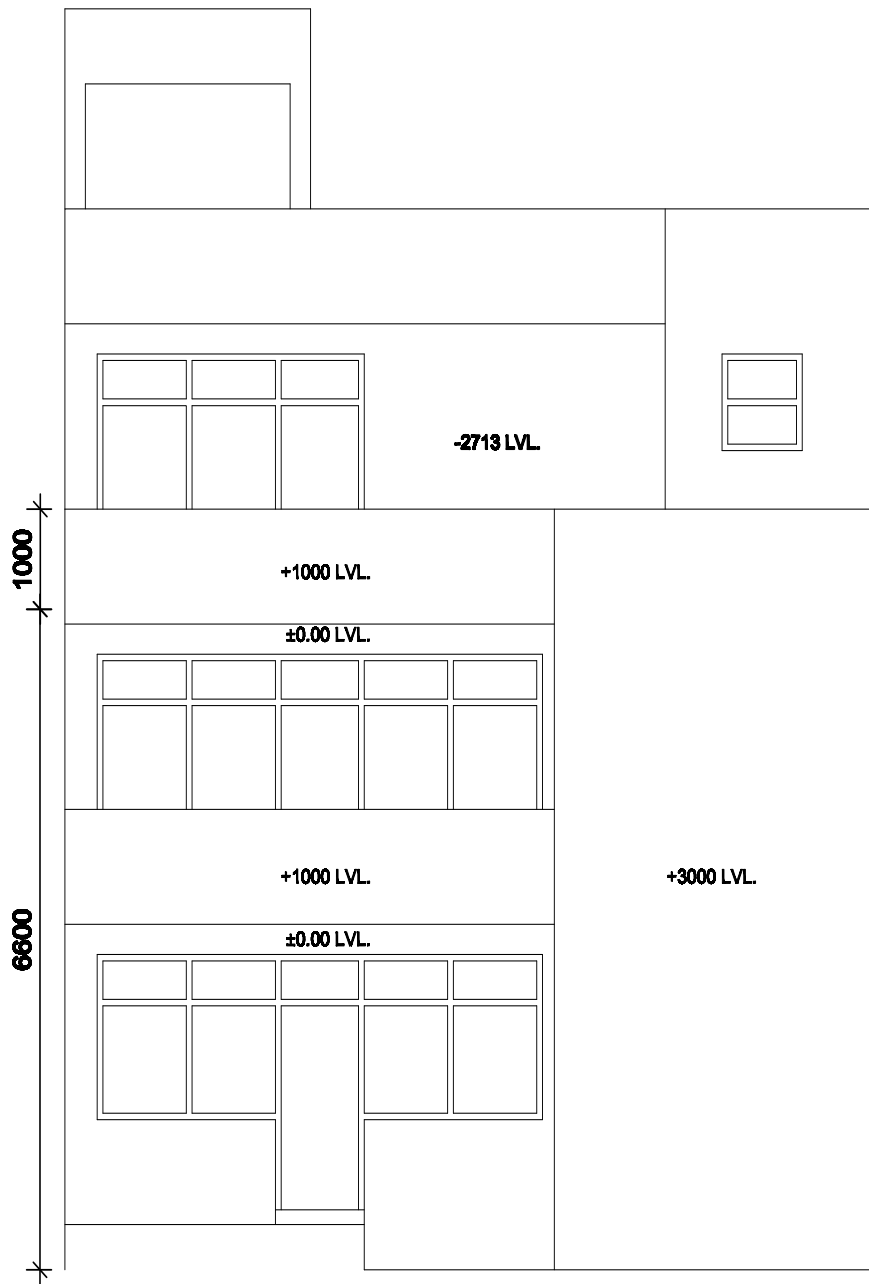


Fig. 2.3 (b). REAR ELEVATION

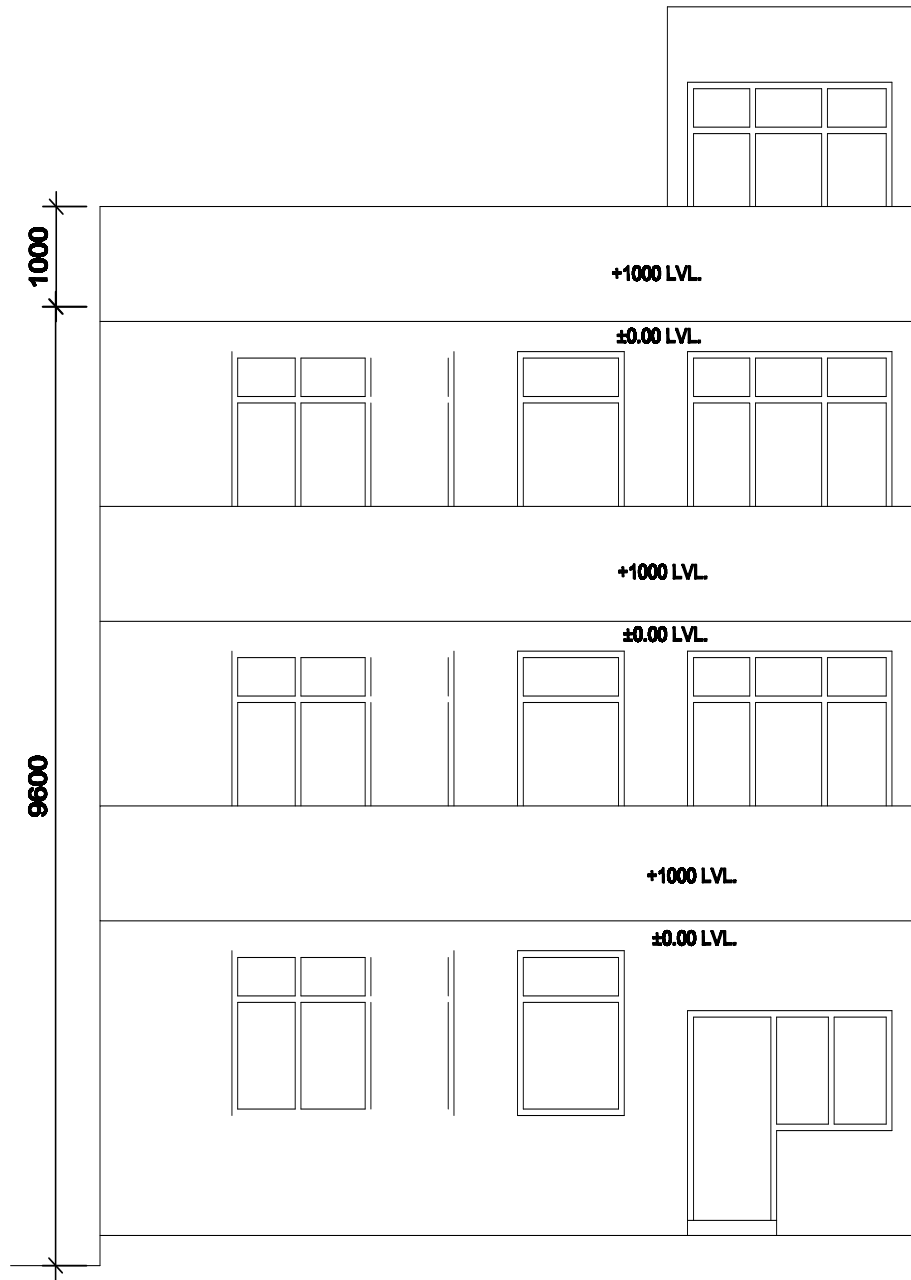
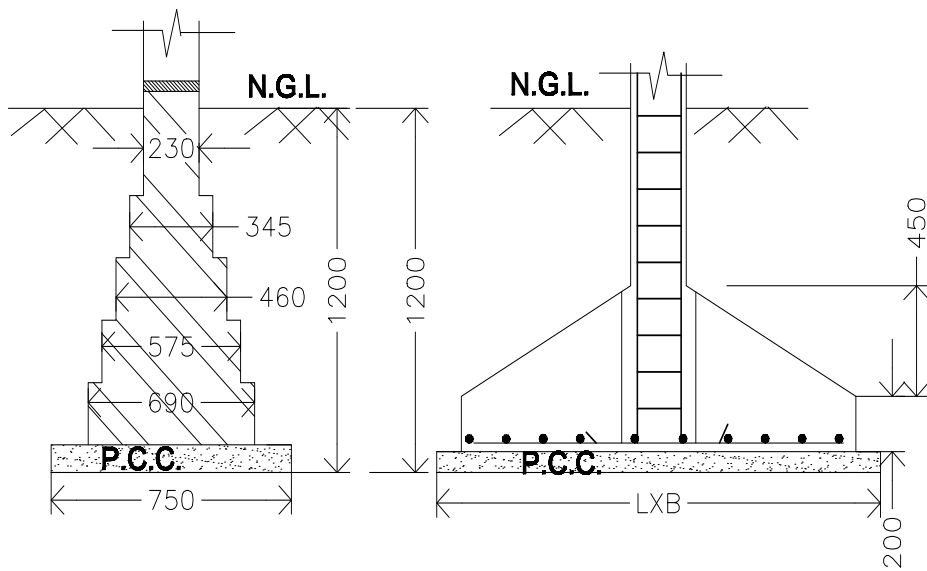


Fig. 2.3 (c). FRONT ELEVATION



**Fig. 2.3 (d). TYPICAL FOUNDATION
& COLUMNS DETAIL**

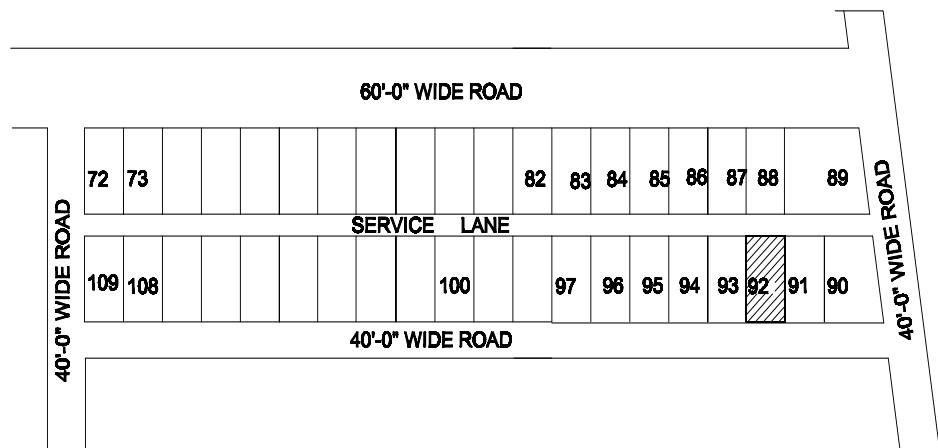


Fig. 2.3 (e). LOCATION PLAN

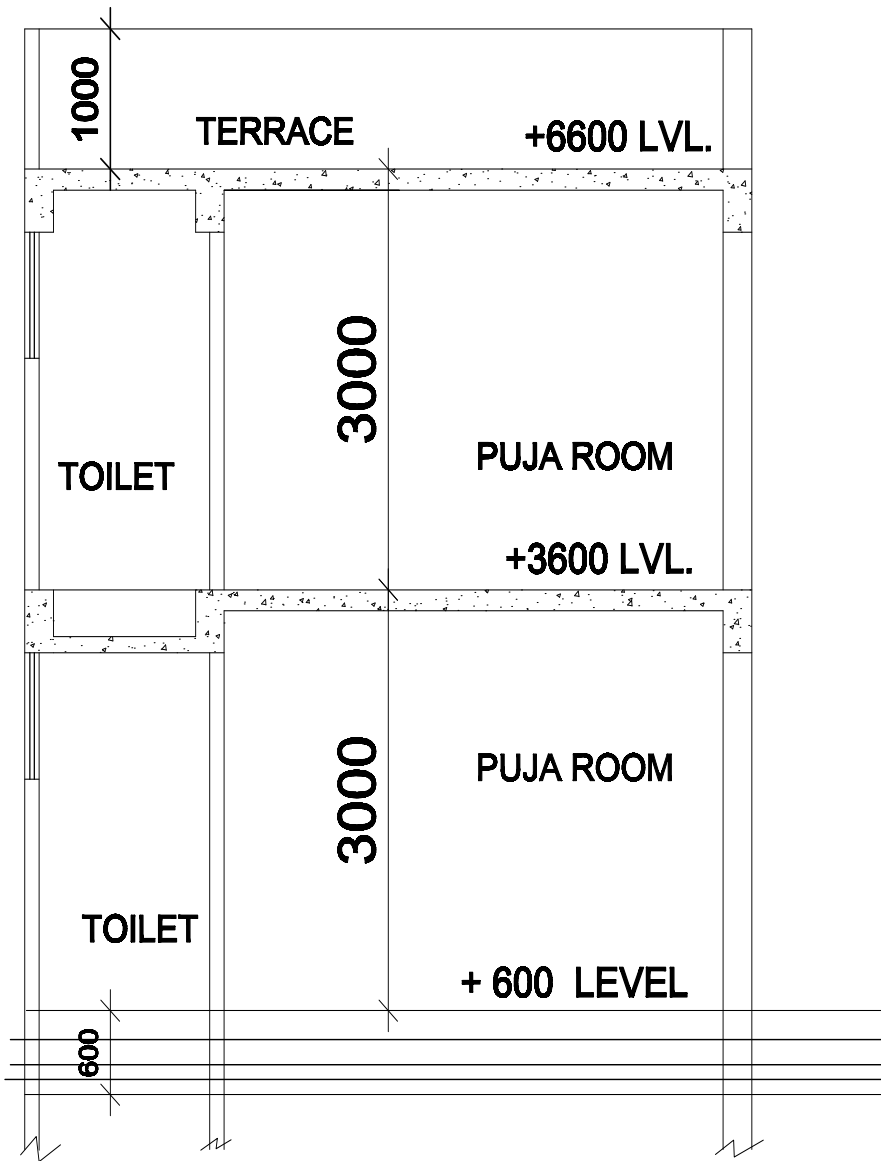


Fig. 2.3 (f). SECTION AT B-B

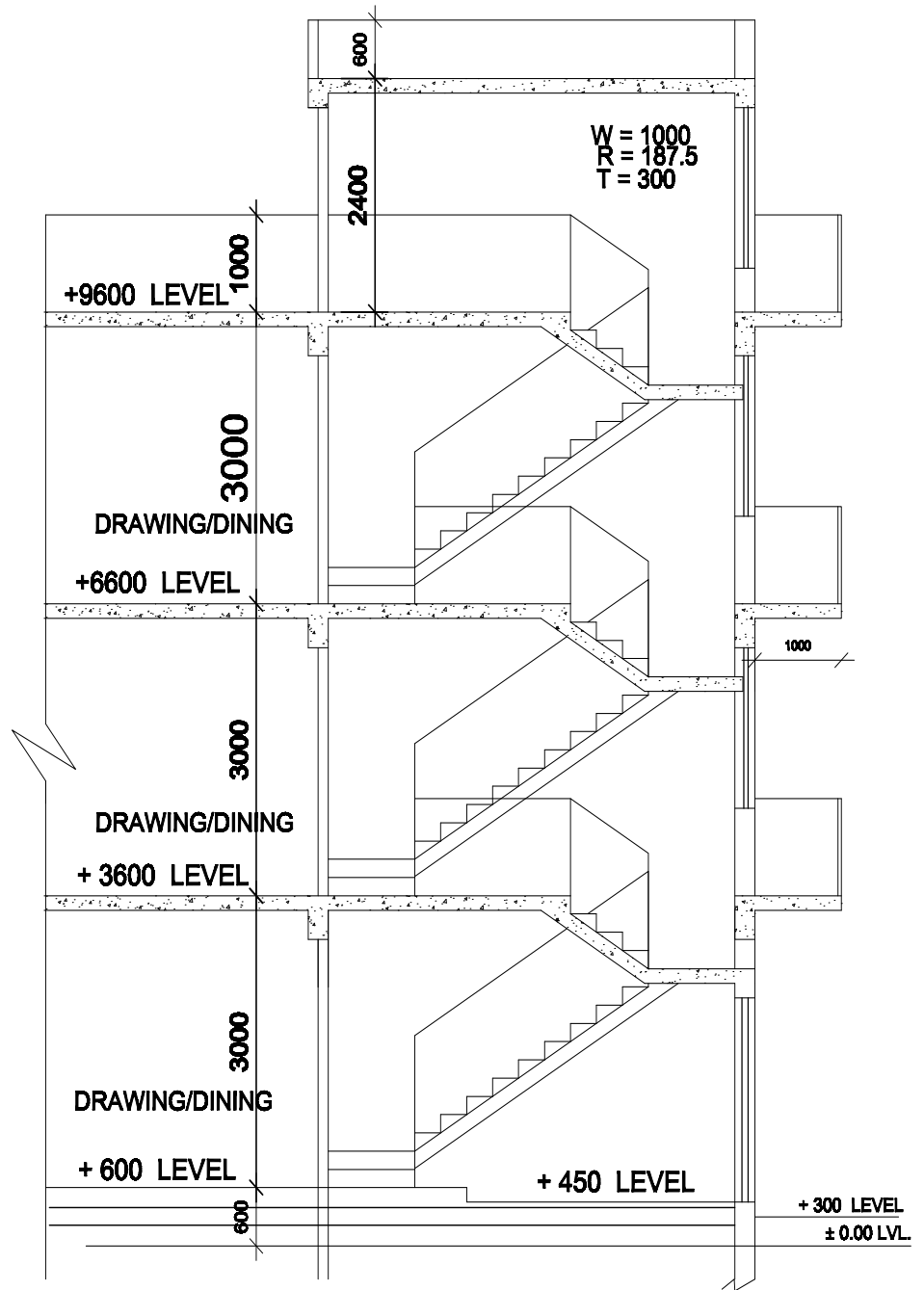


Fig. 2.3 (g). SECTION AT A-A

AREA CALCULATION			
S.NO	GROUND FLOOR COVERAGE = PLOT AREA - OPEN		
	PLOT AREA	=	200.0 SQ.YDS.=1800.0 S.FT.
		=	167.22 SQ.MTR.
	OPEN AREA'S		
A	9.144X 3.00	=	27.43
B	6.50 X 3.00	=	16.50
C	2.40 X 3.125	=	7.50
	TOTAL OPEN	=	51.43
	GROUND COVERAGE = PLOT AREA - OPEN		
		=	167.22 - 51.43 = 115.79 SQ.M.
	FIRSTFL. COVERAGE	=	SAME AS GROUND FLOOR
		=	115.79 SQ.MT.
	SECOND FL. COVERAGE	=	115.79 - (1 + 2 + 3)
		=	115.79 - (10.93 + 6.78 + 18.29)
		=	115.79 - 36.00 = 79.79 SQ.M.
	MUMMTY AREA	=	13.92 SQ.M.
	2.76X5.045	=	
OPENING SCHEDULE			
S.NO	TYPE	SIZE	
1	D/W	2300	X 2100
2	D/W1	5000	X 2500
3	D/W2	2500	X 2500
4	W	1500	X 1600
5	W1	2500	X 1600
6	W2	1200	X 1600
7	W3	2300	X 1600
8	D1	1000	X 2100
9	D2	750	X 2100
10	V	900	X 900
AREA STATEMENT			
S.NO	PARTICULARS	SQ.MTR.	
1	PLOT AREA	167.22	
2	PERMISSIBLE GROUND COVG.	118.693	
3	PROPOSED GROUND COVG.	115.79	
4	PROPOSED FIRST FLOOR AREA	115.79	
5	PROPOSED SECOND FLOOR AREA	79.79	
6	PERMISSIBLE FAR.	317.635	
	PROPOSED FAR.	311.37	
	GR + FF + SF		
	115.79+115.79+79.79		
7	MUMTY AREA	13.92	
NOTE : ALL DIMENSIONS ARE IN MM			

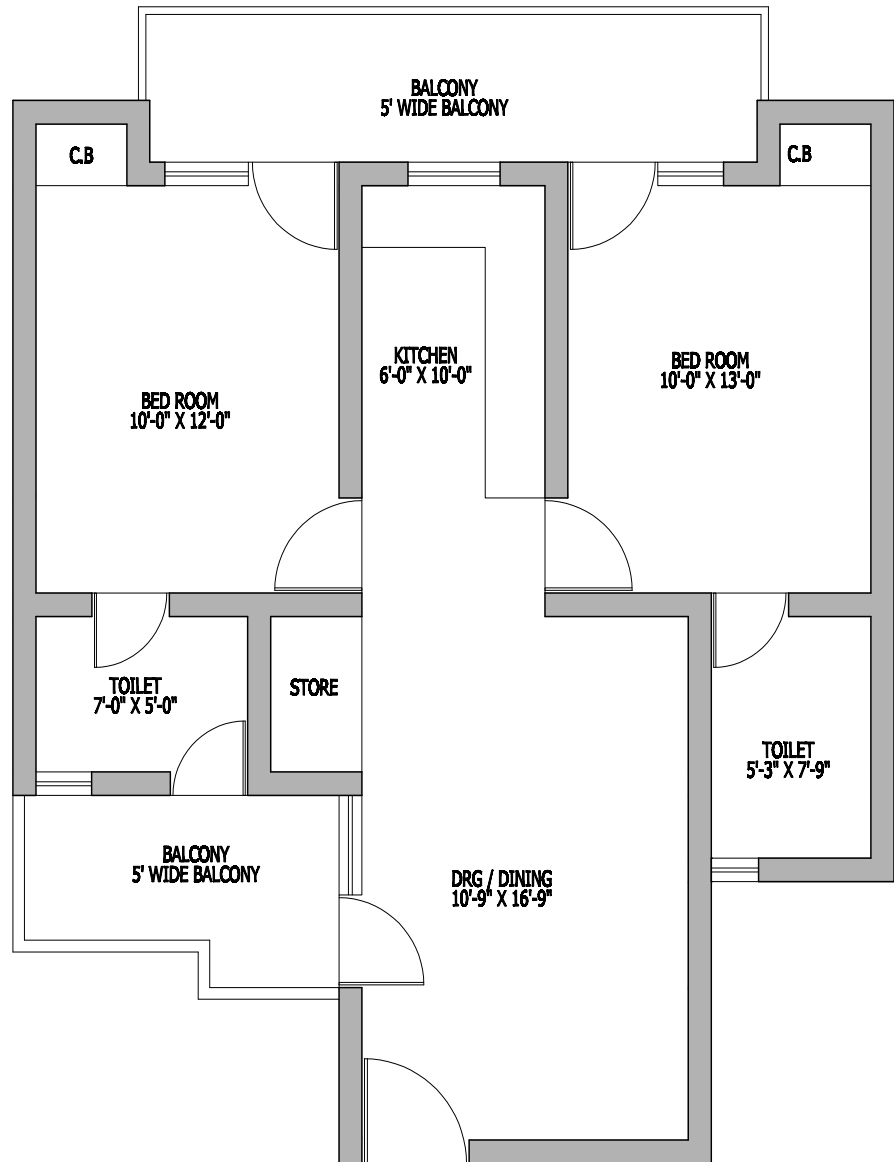


Fig. 4.1 (a). PLAN

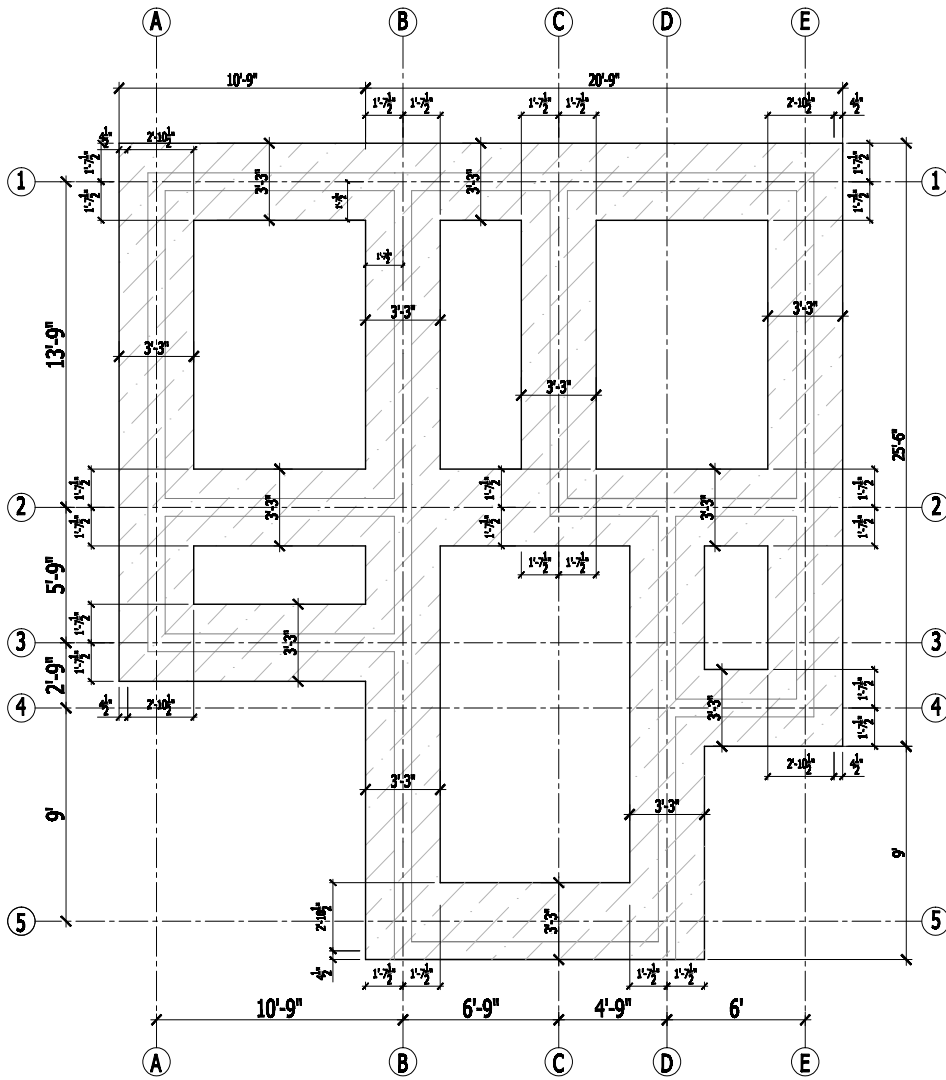


Fig. 4.1 (b). FOUNDATION PLAN

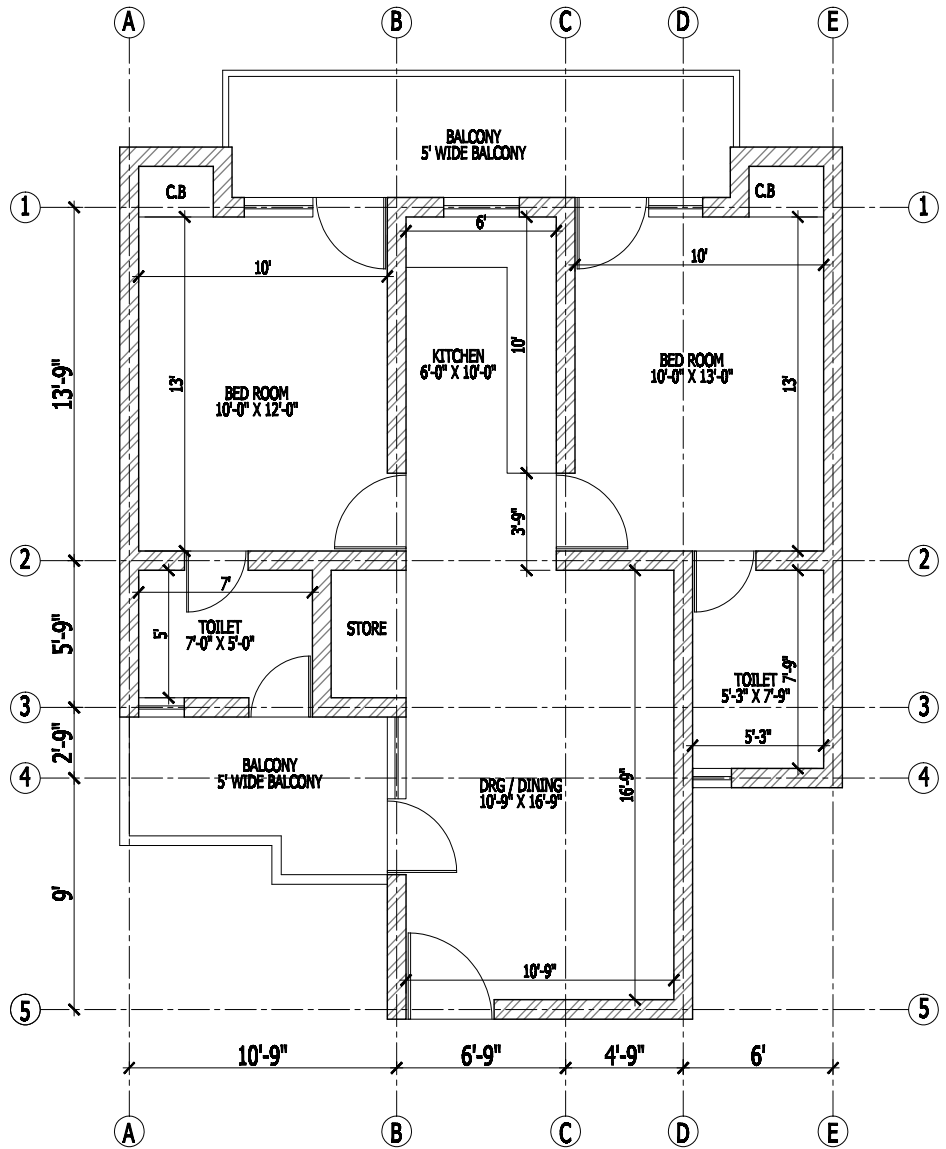
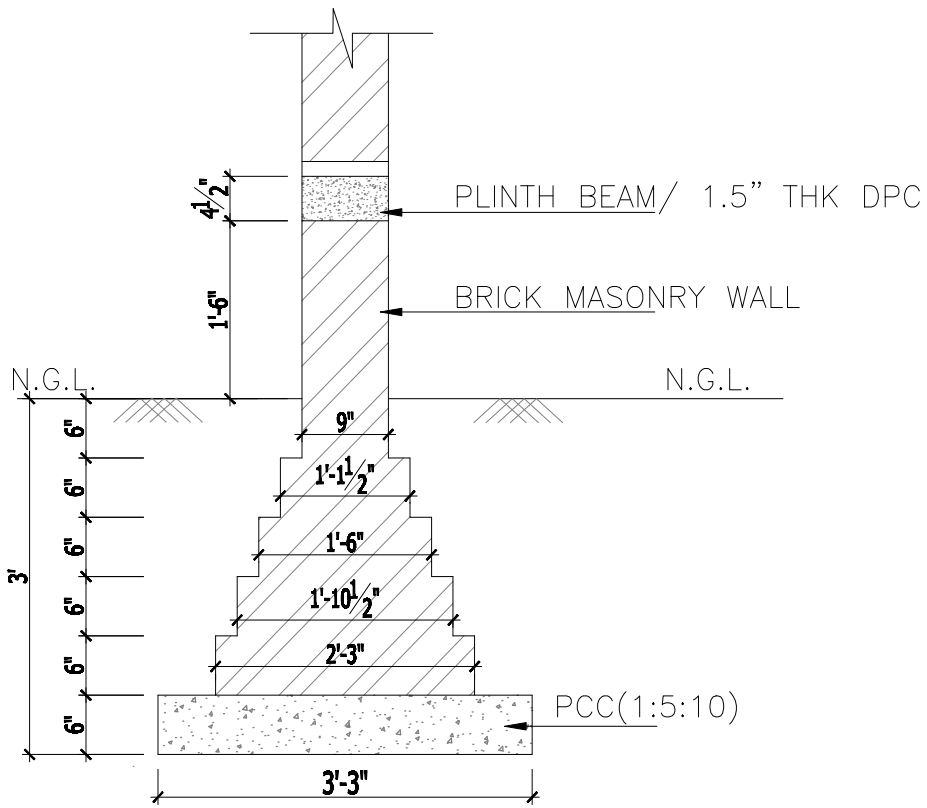


Fig. 4.1 (c). PLAN



**Fig. 4.1 (d). TYP. SECTION THRU
230TH. BRICK WALL**

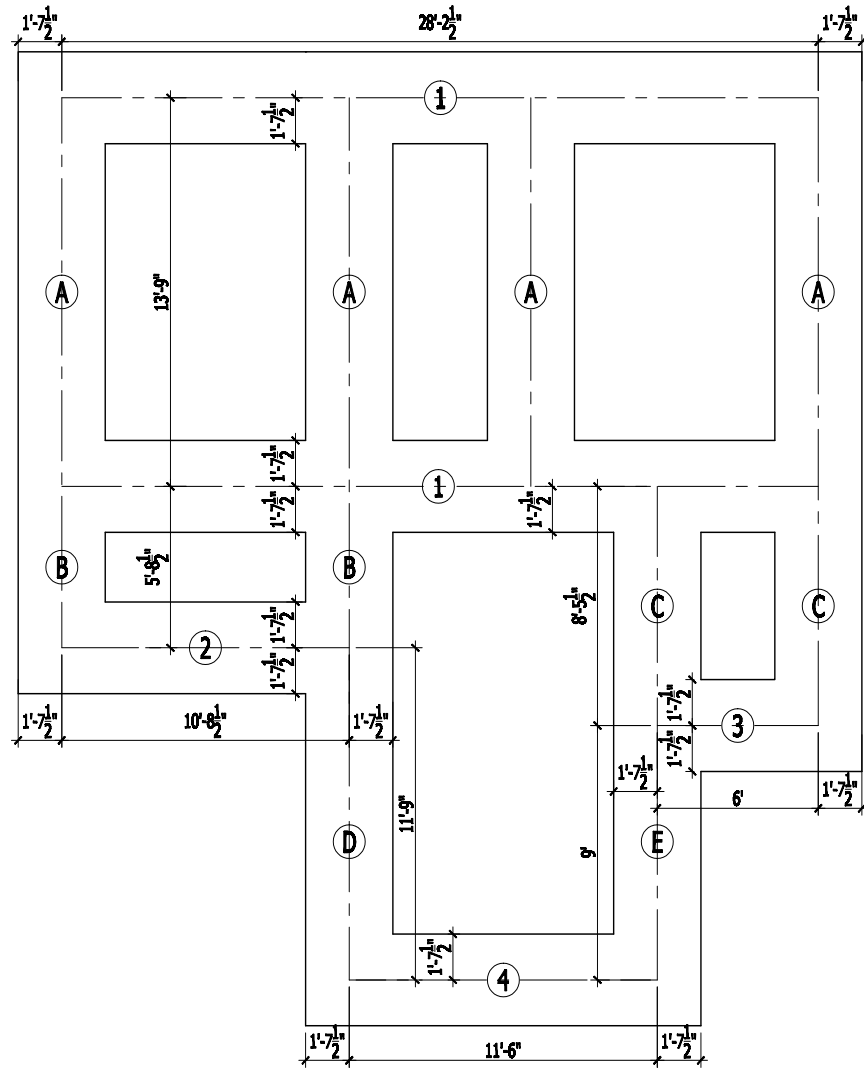


Fig. 4.2 (a). EARTHWORK IN EXCATION & PCC IN FOUNDATION

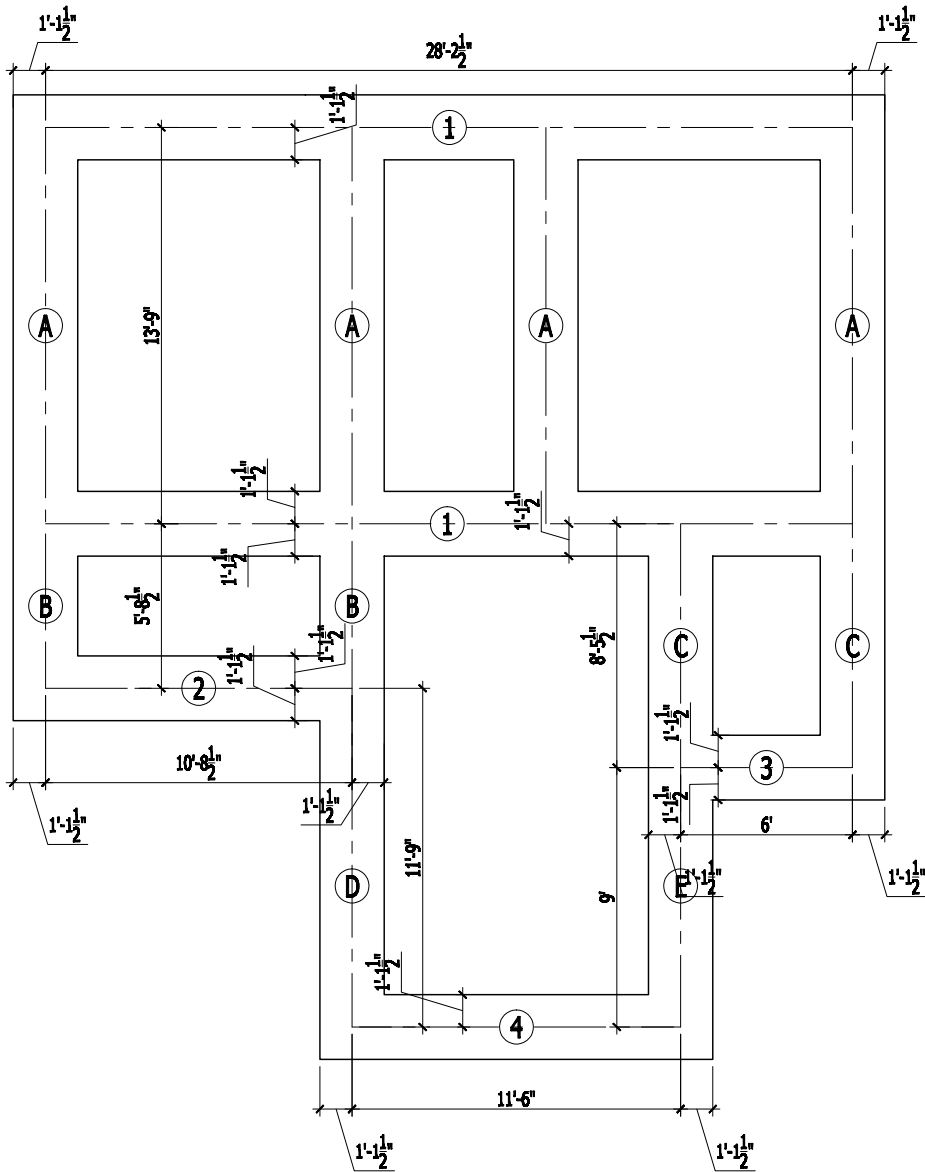


Fig. 4.2 (b). FIRST FLOOR

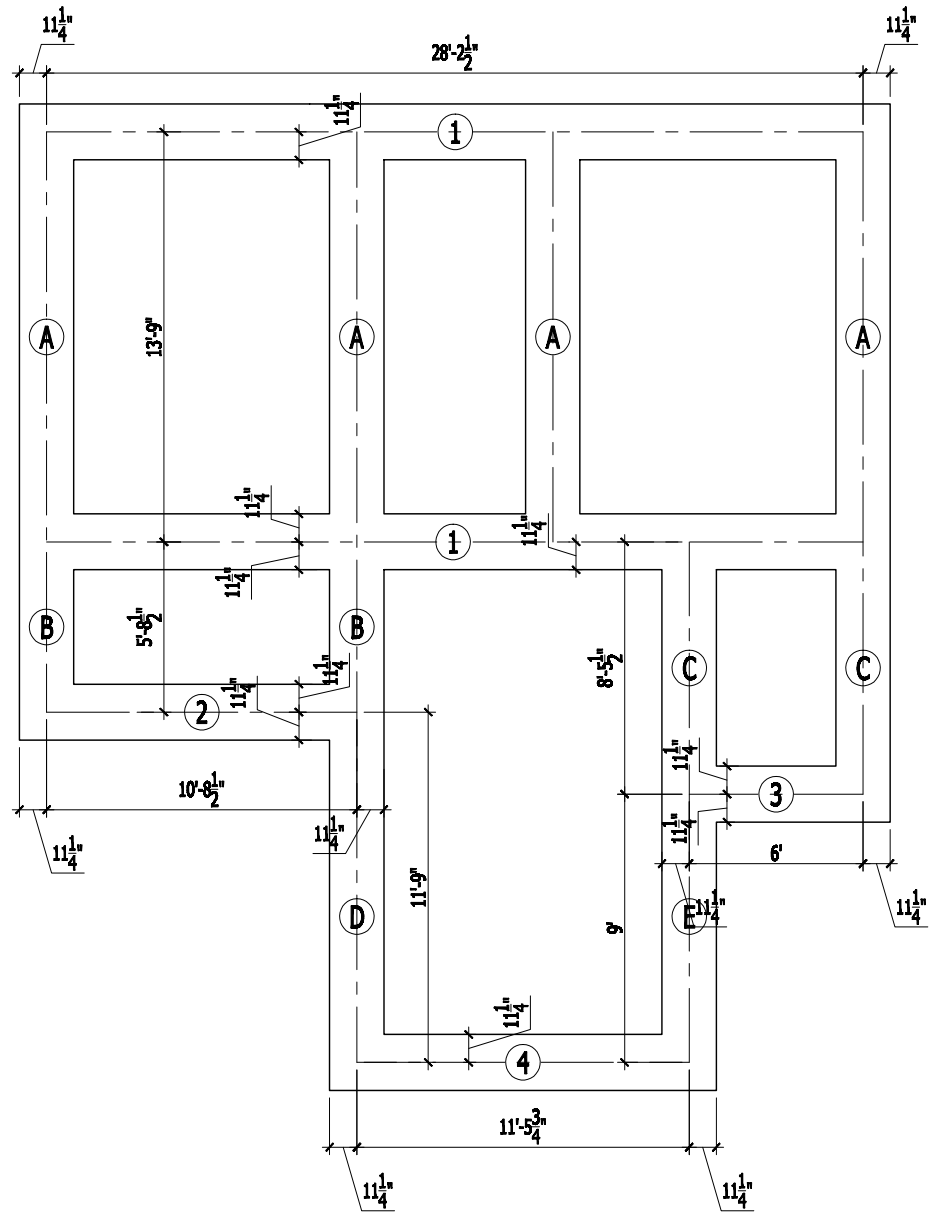


Fig. 4.2 (c). SECOND FLOOR

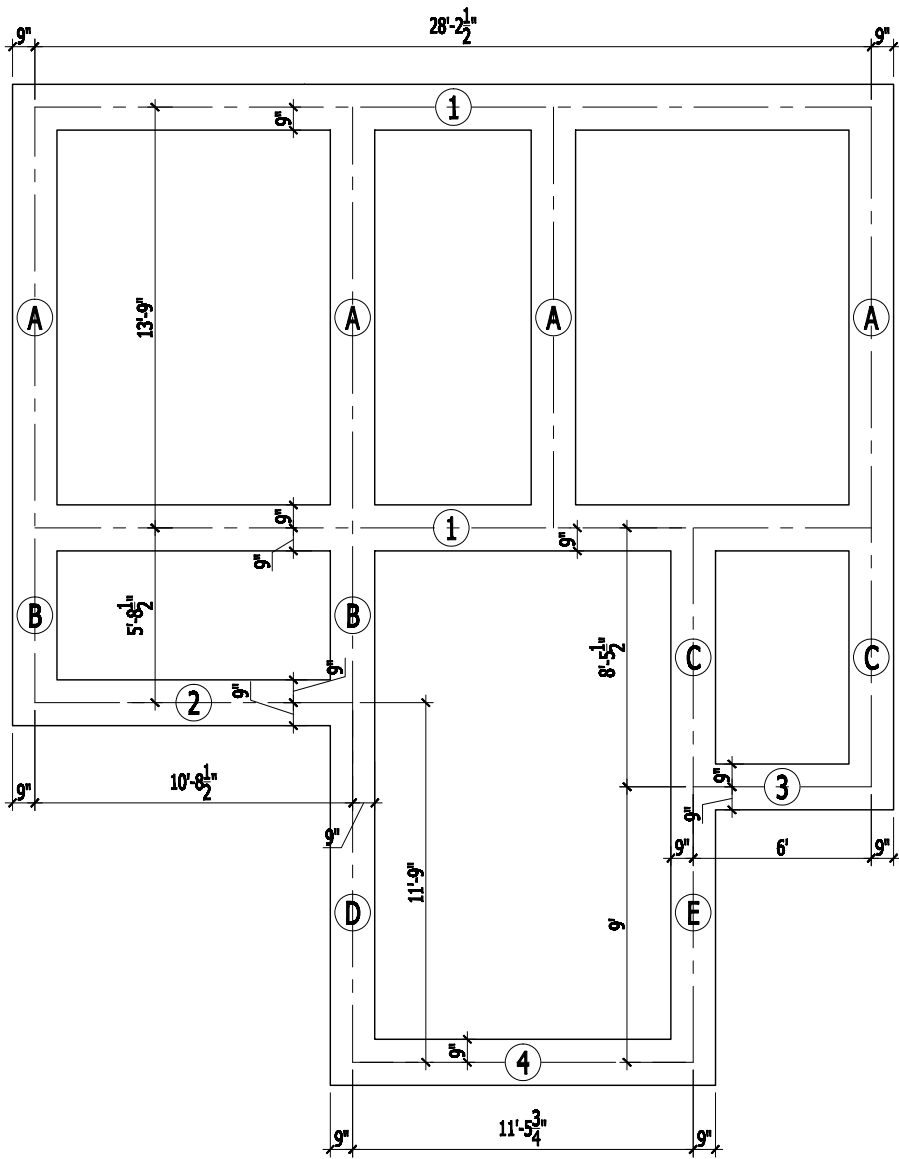


Fig. 4.2 (d). THIRD FLOOR

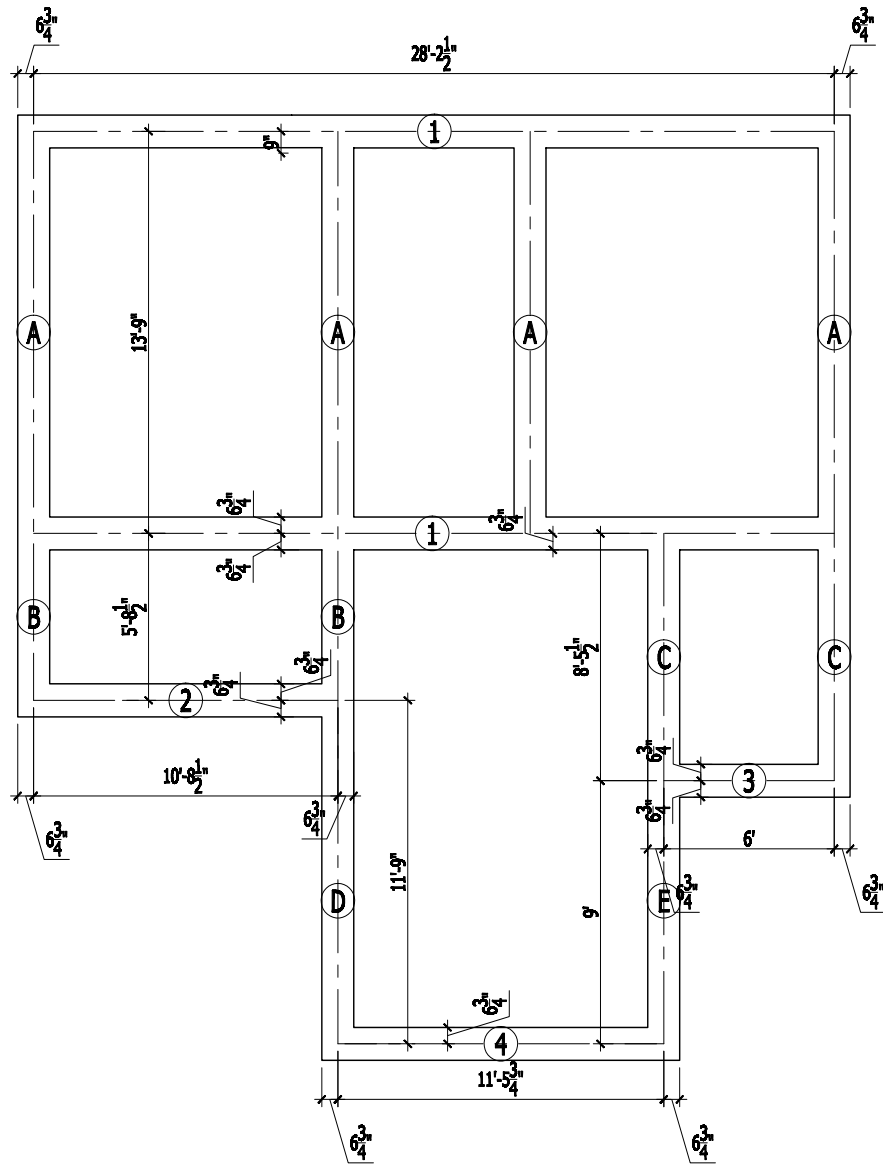
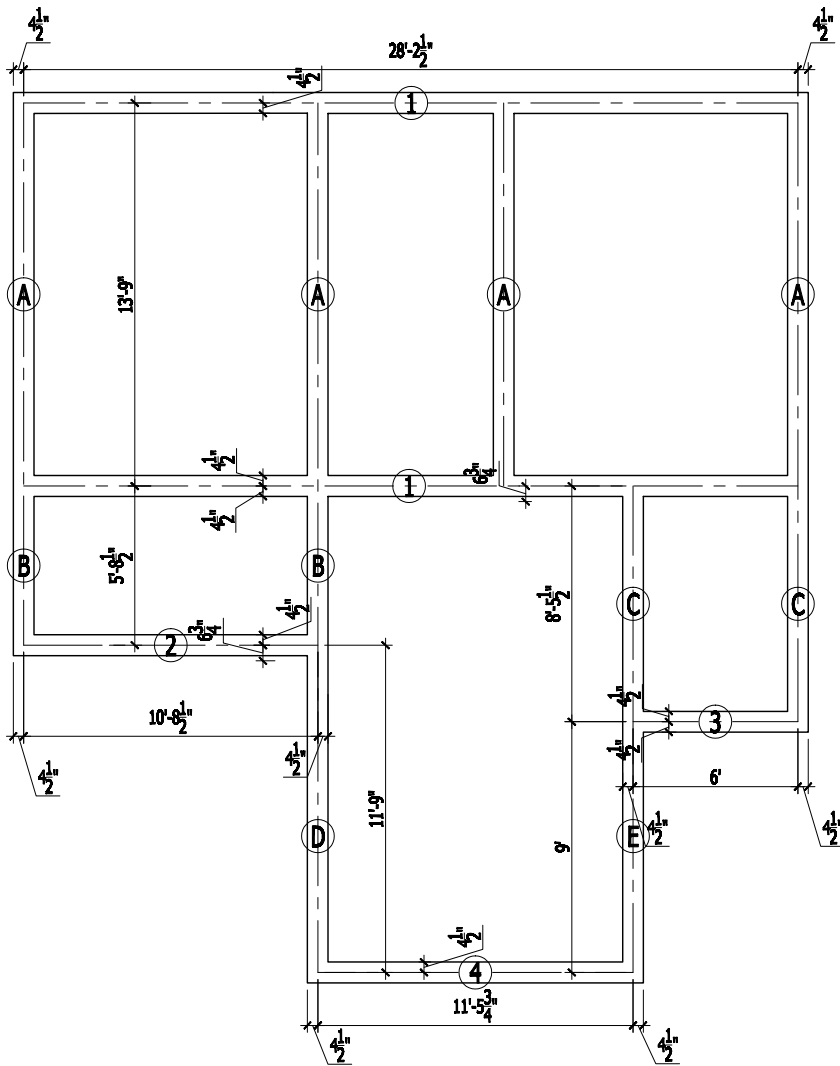


Fig. 4.3 (a). FORTH FLOOR



**Fig. 4.3 (b). PLINTH WALL ABOVE FOOTING
& DAMP PROOF COURSE**